

charnwood 

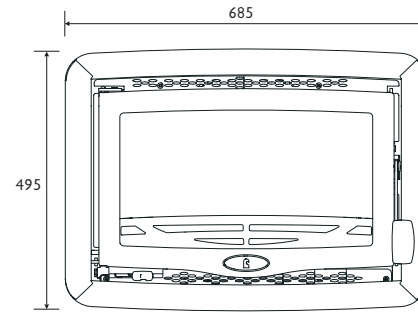
## BAY 5 INSERT STOVE DIMENSIONS



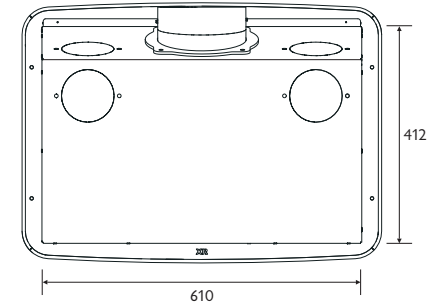
The BAY is the definitive new insert wood burning stove range from Charnwood. The stove features a large landscape window framed with a gently curved surround. Built from the best combination of cast iron, plate steel and ceramic glass, the BAY is brick lined and is designed for easy installation. Delivering 5kW of heat to the room the stove features new burn technology and is incredibly simple to operate.

Available in 2 options: The BAY 5 and the BAY 5GT.

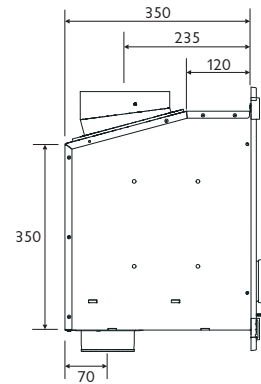
Both models employ the latest smoke reducing technology and are DEFRA exempted - allowing wood to be burnt in smoke control areas.



FRONT VIEW

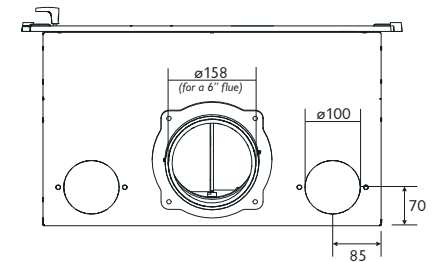


BACK VIEW

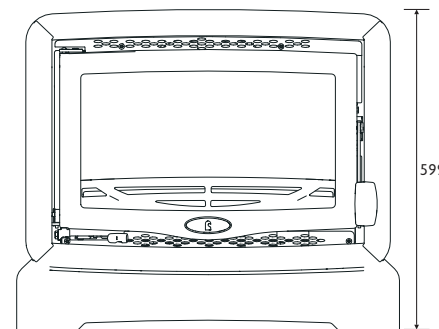


SIDE VIEW

NB: Door extends a maximum of 573mm from front of stove when open.



PLAN VIEW



FRONT VIEW WITH FIREPLACE TRIM

### Heat Output to Room

Nominal 5kW (Range 2-7kW)

### Flue Outlet

Top or Rear 150mm (6") diameter

### Net Efficiency

81%

### Maximum Log Length

480mm (19 inches)

### Optional Accessories

Fireplace Trim

